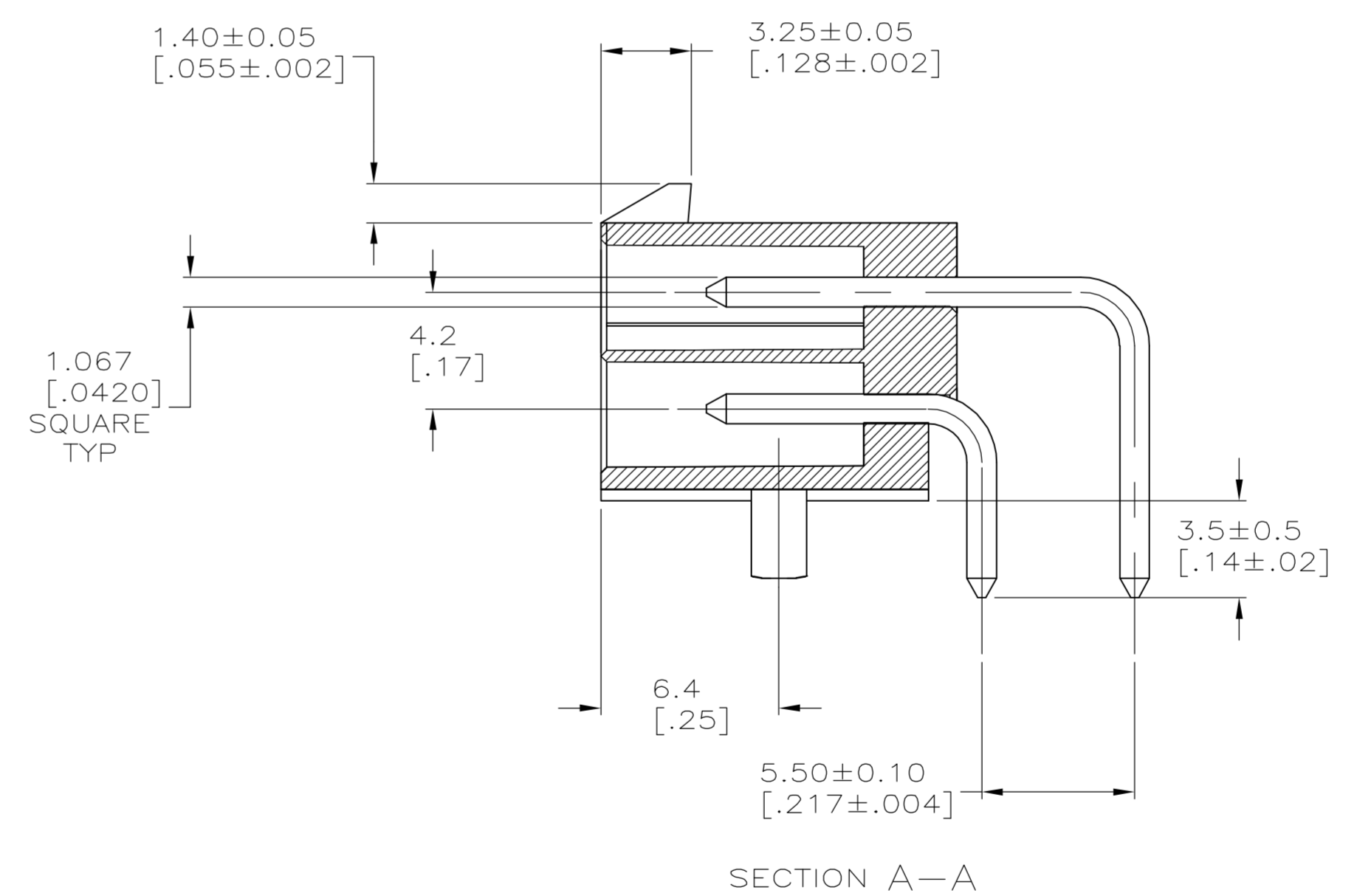
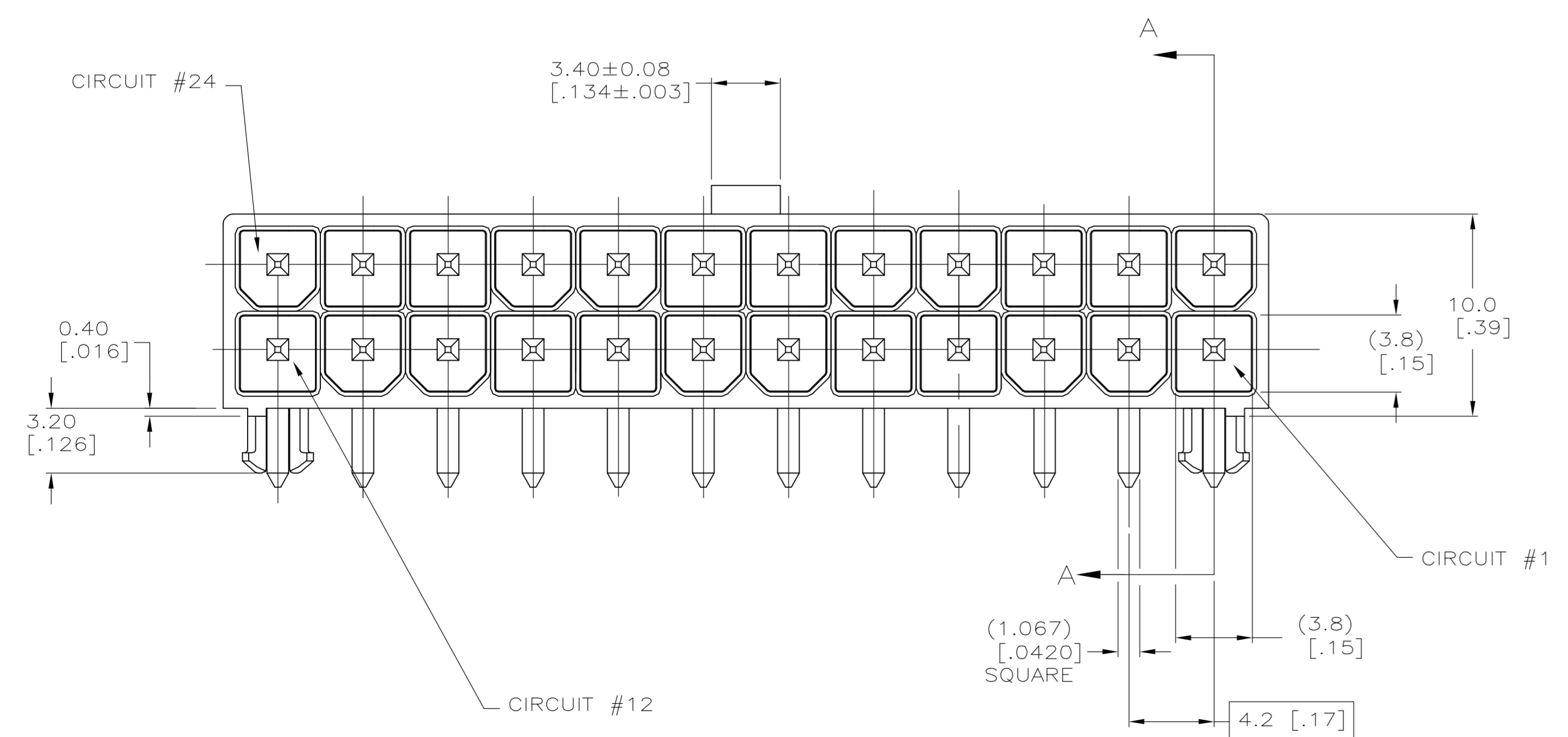
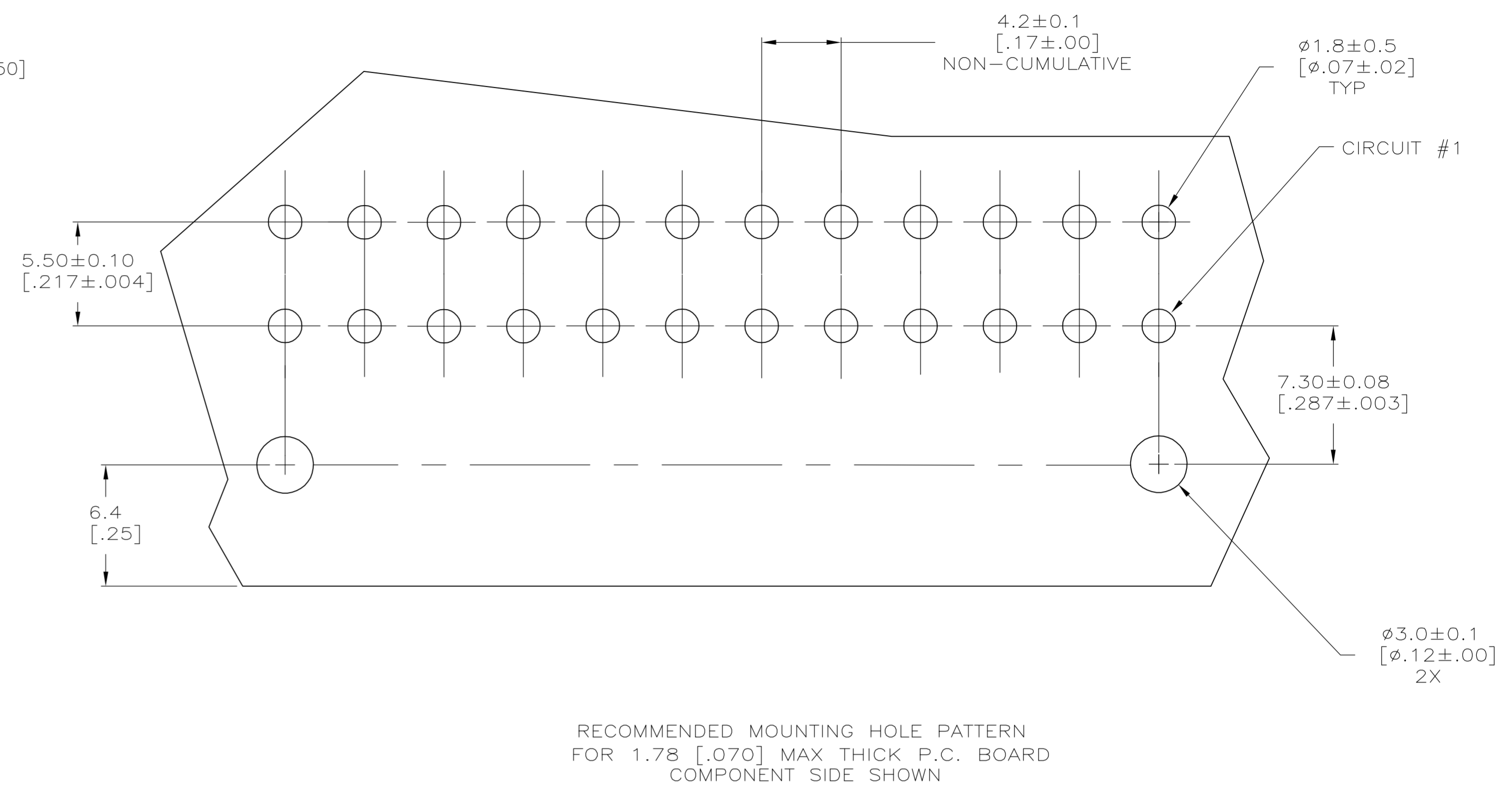
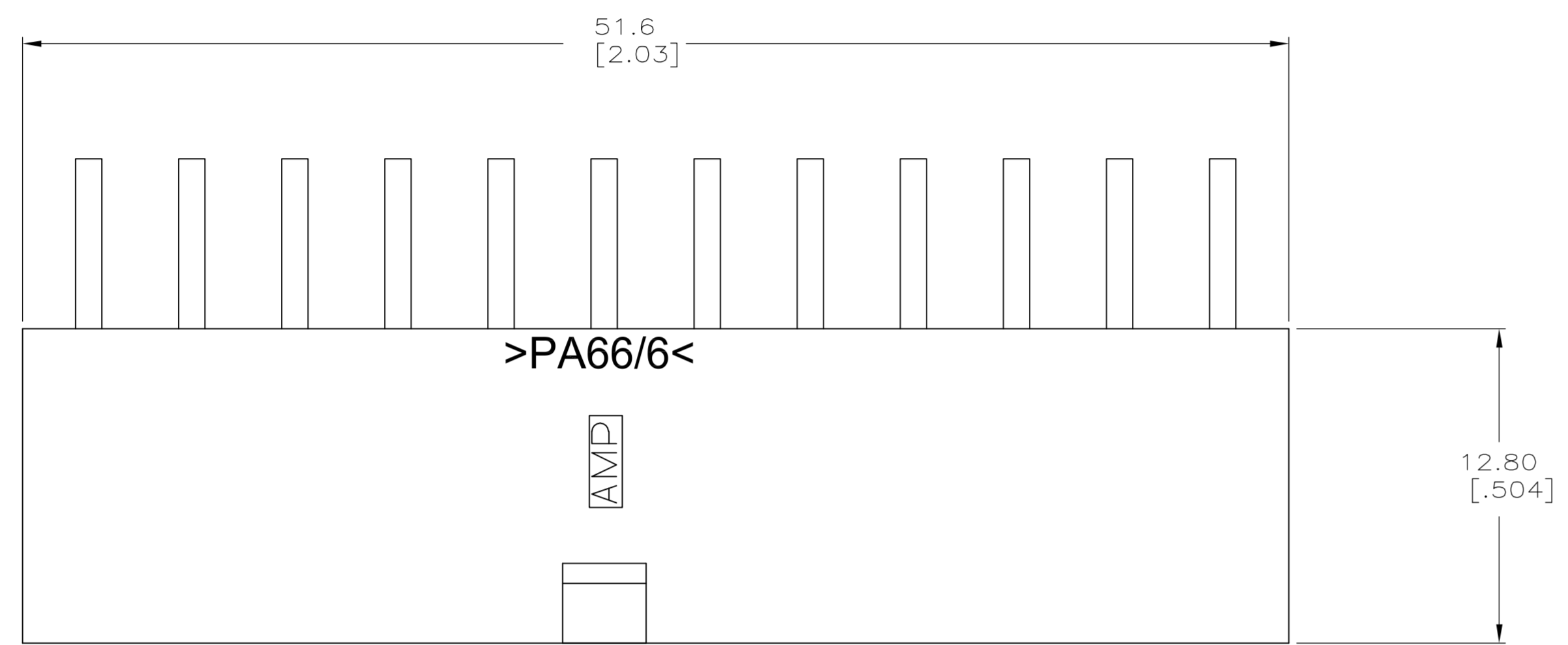


LOC		DIST		REVISIONS			
P	LTR	DESCRIPTION	DATE	DWN	APVD		
D		REVISED PER ECO-06-014772	13NOV06	KW	DC		

- ① MATERIAL: HOUSING - NYLON, UL94V-0 (COLOR - WHITE)
 PIN - 1.067mm² [.0017in²] COPPER ALLOY.
- 2. PINS TO COMPLY WITH SOLDERABILITY SPEC 109-11-3.
- ③ 0.00381 [.000150] MINIMUM TIN LEAD OVER 0.00127 [.000050] MINIMUM NICKEL, ENTIRE LENGTH OF PIN.
- ④ NOTE DELETED.
- ⑤ 0.00381 [.000150] MINIMUM TIN OVER 0.00127 [.000050] MINIMUM NICKEL, ENTIRE LENGTH OF PIN.



SUPERSEDED BY 1-794590-1

①	⑤	①	①	1-794590-1
①	③	①	①	794590-1
MATERIAL		FINISH		ASSEMBLY
PIN		HOUSING		

METRIC

THIS DRAWING IS A CONTROLLED DOCUMENT.

DIMENSIONS:	TOLERANCES UNLESS OTHERWISE SPECIFIED:	DWN S. HOOVER 02-MAR-2005	tyco Tyco Electronics Corporation Harrisburg, Pa 17105-3608
mm [INCHES]	0 PL ± 0.2 [0.1]	CHK D. COLEY 02-MAR-2005	
	1 PL ± 0.13 [0.005]	APVD D. COLEY 02-MAR-2005	
	2 PL ± 0.13 [0.005]	NAME	ASSEMBLY, HEADER, RIGHT ANGLE, 24 POSITION, W/PEGS, 94V-0, AMP-DUAC(TM) POWER CONNECTOR
	3 PL ± 0.13 [0.005]	PRODUCT SPEC	108-1646
	4 PL ± 0.13 [0.005]	APPLICATION SPEC	114-6067
	ANGLES ± 0° 30'	SIZE	A1
MATERIAL SEE CHART	FINISH SEE CHART	WEIGHT	00779 C=794590
		CUSTOMER DRAWING	SCALE 5:1 SHEET 1 OF 1 REV D